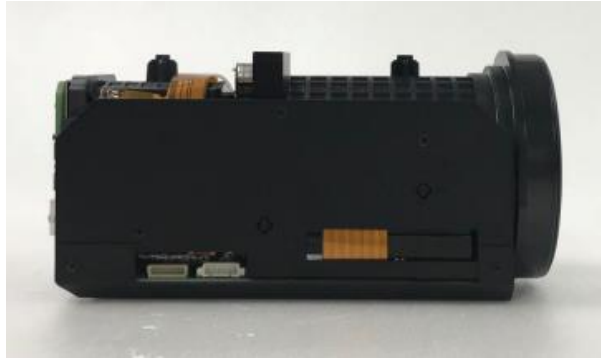


CBM31385AFB

1/2" High Sensitivity CMOS x31 Zoom/AF/NIR Camera Module



■ Overview

- 2M camera module equipped with SONY high-sensitivity color image sensor.
- Equipped with 1/1.8" 31x optical zoom lens for 2M.
- Equipped with a visible light cut filter as standard.

■ Feature

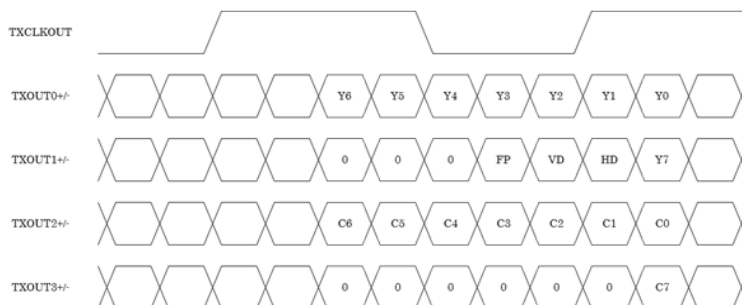
- Equipped with a high-sensitivity, low-noise sensor.
- Supports auto ICR operation, automatically switching from daytime color images to nighttime near-infrared images
- 31x optical zoom and 32x digital zoom for a total of 992x zoom.
- Equipped with auto iris, auto electronic shutter, auto gain, auto white balance, and auto focus.
- Equipped with various correction functions according to the image scene (DNR, WDR, fog, heat haze, etc.).
- Compatible with LVDS output, allowing easy connection to network modules.
- Supports 3G-SDI/HD-SDI output, enabling long-distance wiring up to 100m without image quality degradation.
- Supports 1080p, 1080i, 720p video formats.
- Flexible support for additional functions.

Global Chip Technology Corp.
2-9-4-6F, Maruei-No.6 BLDG.
Minami-cho, Chuo-ku, Chiba-Shi
Chiba-Ken, Japan 〒260-0842
TEL : +81-43-308-6300
FAX : +81-43-261-6100
E-mail : info@gct-c.com

■ Specifications

Sensor	Image Sensor	1/2" SONY CMOS Image Sensor (IMX385LQR-C)
	Number of pixels	1952(H) x 1113(V), 2.17M Pixels
	Pixel Size	3.75 μ m(H) x 3.75 μ m(V)
	Scan Format	1920x1080@30fps, 1920x1080@25fps, 1920x1080@60fps, 1920x1080@50fps (Option 1920x1080@29.97fps, 1920x1080@59.94fps)
Lens	F No.	Wide: F1.36, Tele: F4.60
	Focal Length	Wide (x1) :6.91mm, Tele (x31) : 214.64mm
	Zoom	Optical Zoom 1~31times : Stepping Motor Digital Zoom 1~32 times : (Optical + Digital Zoom Max : 992 times)
	Focus	Stepping motor system auto focus Focus range : Wide 2.0m~ ∞ , Tele 2.0m~ ∞
	Optical Arange of view	Wide (x1) : D/65.18°, H/57.36°, V/33.12° Tele (x31) : D/2.20°, H/1.92°, V/1.08°
	Optical Filter (Triple ICR)	1: IR Cut Filter (for Day Color) 2: NIR Filter 3: Through Glass
Video	Video Format	3G-SDI : 1080p60, 1080p50 (Option 1080p59.94) HD-SDI : 1080p30, 1080p25, 1080i60, 1080i50, 720p60, 720p50, 720p30, 720p25 (Option 1080p29.97, 1080i59.94, 720p59.94, 720p29.97) LVDS : 1080p30, 1080p25, 1080i60, 1080i50, 720p60, 720p50, 720p30, 720p25 (Option 1080p29.97, 1080i59.94, 720p59.94, 720p29.97) VBS : NTSC, PAL
	Minimum Illumination	F1.5, Color 0.01 lx, B/W 0.003 lx, IR Cut Filter Off, AGC 42dB, 25IRE
	Signal to Noise Ratio	STD 52dB (Minimum 48dB)
	Setting	OSD, UART(2ch)
Function	Auto Iris	Yes
	Auto Exposure	Yes
	Auto Focus	Yes
	White Balance	AUTO / ATW / AWB (One Push)
	Manual Shutter	1/30(25), 1/50, 1/60, 1/100, 1/120, 1/150, 1/180, 1/250, 1/350, 1/500, 1/750, 1/1000, 1/2000, 1/4000, 1/10000, 1/34000, 1/78000 sec.
	Sense Up	AGC Max 60dB & Slow Shutter Max 8 sec.
	Day & Night Mode	Color / B&W / Auto / External
	Digital Noise Reduction	2D + 3D (Coupled Motion ON/OFF)
	Backlight Control	Yes
	Peak / Average Control	Yes
	Gamma Control	0.45 ~ 1.00 (Auto Setup ON/OFF)
	Wide Dynamic Range	XDR, D-WDR, HDR
	Eclipse (High Light Clip)	Yes
	Fog Reduction	Yes
	Heat Haze Correction	Yes
	Motion Detection	Yes
	H/V Mirror, Flip	Yes
	OSD Language	English, Japanese (Customizable)
	Title Display	Yes
	Communication Protocol	Original / Pelco-D / Pelco-P / VISCA
Privacy Mask	Yes (16 Masks)	
Preset Position	Yes (64 Area)	
Synchronous Mode	Internal	
General	Power Source	DC+12V
	Consumption Current	370mA (30fps)
	Operation Temperature	-10°C ~ +50°C
	Storage Temperature	-30°C ~ +70°C
	Humidity	80% Max
	Outside Dimensions	W63mm x H67mm x D141.74mm
Net Weight	450g	

■ LVDS Format



Global Chip Technology Corp.
 2-9-4-6F, Maruei-No.6 BLDG.
 Minami-cho, Chuo-ku, Chiba-Shi
 Chiba-Ken, Japan 〒260-0842
 TEL : +81-43-308-6300
 FAX : +81-43-261-6100
 E-mail : info@gct-c.com

Pin Assignment

JP1 (USL00-30L-A/KEL)		
1	TXout3+	LVDS TXD3+
2	TXout3-	LVDS TXD3-
3	TXCLKout+	LVDS TXCLK+
4	TXCLKout-	LVDS TXCLK-
5	TXout2+	LVDS TXD2+
6	TXout2-	LVDS TXD2-
7	TXout1+	LVDS TXD1+
8	TXout1-	LVDS TXD1-
9	TXout0+	LVDS TXD0+
10	TXout0-	LVDS TXD0-
11	GND	Ground
12	TXD1	UART TX (5V)
13	RXD1	UART RX (5V)
14	DC12in	12V DC
15	DC12in	12V DC
16	DC12in	12V DC
17	DC12in	12V DC
18	DC12in	12V DC
19	GND	Ground
20	GND	Ground
21	GND	Ground
22	GND	Ground
23	GND	Ground
24	GND	Ground
25	-	Reserved
26	-	Reserved
27	VBS	Analog Video
28	-	Reserved
29	-	Reserved
30	RS485EN1	RS485 Enable (5V)

JP2 (53261-0671/MOLEX)		
1	DC12in	12V DC
2	GND	Power Ground
3	VBS	Analog Video
4	GND	Video Ground
5	IRext	ICR Control
6	VDO	Sensor VD Pulse

JP3 (SM06B-SRSS-TB/JST)		
1	ENTER	OSD Enter
2	RIGHT	OSD Right/Tele
3	LEFT	OSD Left/Wide
4	UP	OSD Up/Near
5	DOWN	OSD Down/Far
6	GND	Ground

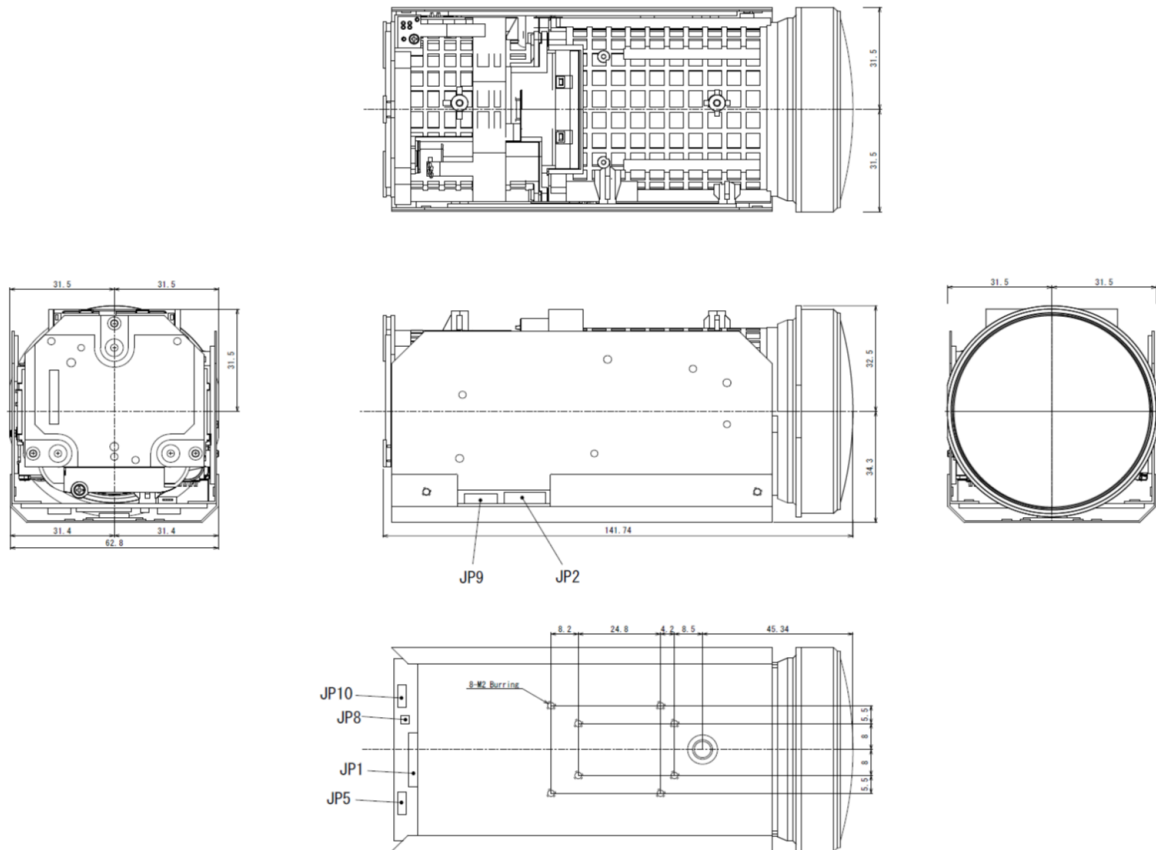
JP4 (SM05B-SRSS-TB/JST)		
1	GND	Ground
2	TXD2	UART TX (3.3V)
3	RXD2	UART RX (3.3V)
4	DC33out	3.3V DC
5	RS485EN2	RS485 Enable (3.3V)

JP8 (AYU1-1P-02676-120/JST)		
1	TX-SDI	SDI TX
2	GND	Video Ground

JP11 (SM04B-SRSS-TB/JST)		
1	DC33out	3.3V DC
2	ARin	Audio R
3	ALin	Audio L
4	AGND	Ground

(Option)

Dimensions



Global Chip Technology Corp.

2-9-4-6F, Marui-No.6 BLDG.

Minami-cho, Chuo-ku, Chiba-Shi

Chiba-Ken, Japan T 260-0842

TEL : +81-43-308-6300

FAX : +81-43-261-6100

E-mail : info@gct-c.com